



FEATURES

- British made with a lifetime frame guarantee
- Patent pending folding mechanism for optimum space saving
- J-TeX® sprung base system for durability, support and comfort
- Breathable Airflow Fibre mattress
- Exceeds British and European safety standards
- 360° castors for easy manoeuvrability
- Durable powder coat paint finish
- Suitable for regular use

SIZES AVAILABLE

- 103701 Single (mattress code: 903701)

ACCREDITATIONS

Tested and accredited to British and European safety standards including:

Relating to the Frame

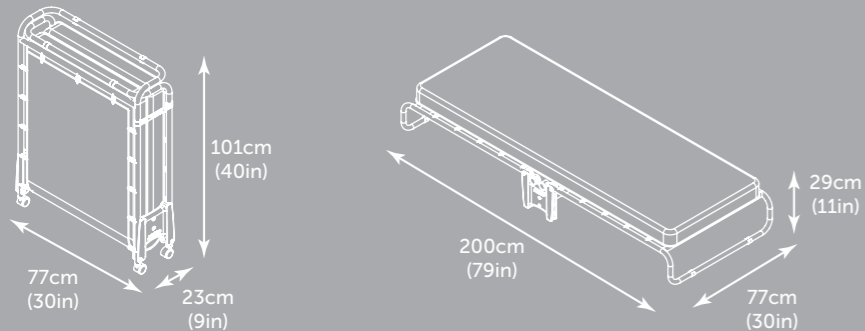
- BS EN 1725 - Complete

Relating to the Mattress

- BS EN 597-1 - FR requirement
- BS EN 597-2 - FR requirement
- BS 7177 Domestic - FR requirements

DIMENSIONS & PACKAGING

Packed size: 79 x 24 x 97cm (0.18m³) Weight: 17Kg / 37lb



Mattress dimensions: W68cm (27in) L190cm (75in) D7cm (3in)

ADVANCE FOLDING BED WITH AIRFLOW FIBRE MATTRESS



ADVANCE FOLDING BED

Modern materials and innovative design make the JAY-BE Advance folding bed more compact, more durable and more comfortable than other folding guest beds. The patent pending design enables the Advance to fold more compact than traditional folding beds so it takes up less space for optimum storage, whilst still offering a long and deep mattress for supreme comfort.

The J-TeX® sprung base system provides the perfect combination of durability and full body support. This folding guest bed rests on 360° castors so it can be manoeuvred easily and it is also suitable for regular use. All JAY-BE folding beds are made in the UK and come with a FREE lifetime frame guarantee for your complete quality assurance.